

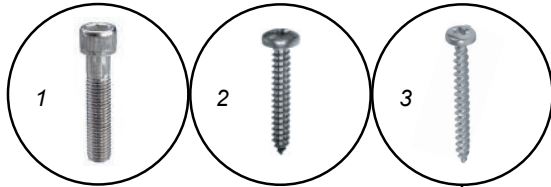
LoXS Locker unit Mifare for DIN left and DIN right mounting

1

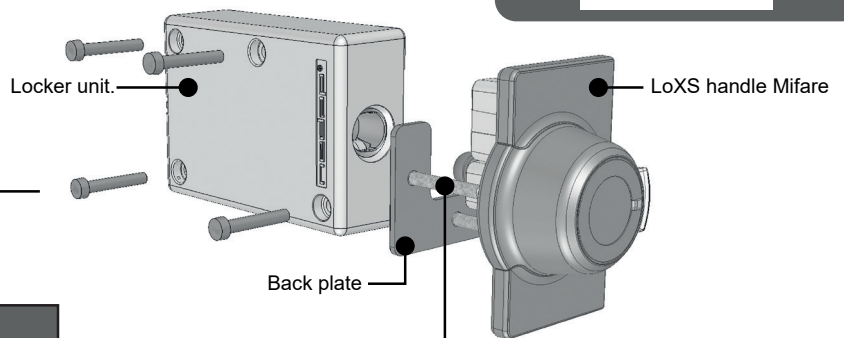
accessories

Mounting bolts (4x), bolt type depends on the materials.
 Prescribed bolts are:
 1- M4 x 30 Hexagon socket head screw - ISO 4762.
 2- 3.9 x 38 Cross recessed pan head tapping screws - ISO 7049.
 3- 4 x 40 Chipboard screw, oval head - DIN 7505.

scan this QR label to watch the instruction film



Mounting bolts are not included. 4x



lockerdoor thickness	mounting bolt
between 1 - 10mm	DIN7991 4.8ZN M4 x 20
between 10 - 20mm	DIN7991 4.8ZN M4 x 30

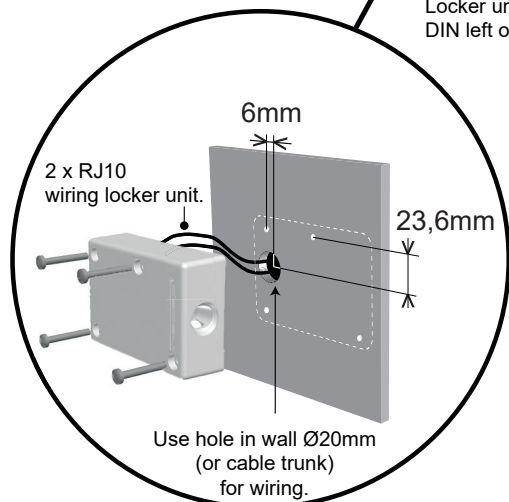
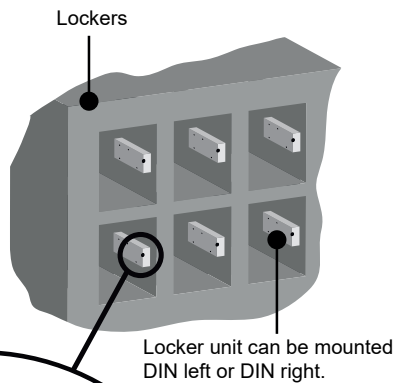
Mounting bolts (2x) included, see table left
 Mounting bolts are self-locking.
 Maximum torque for tightening is 10NM.



lubricants, coatings and sprays are not allowed.

2

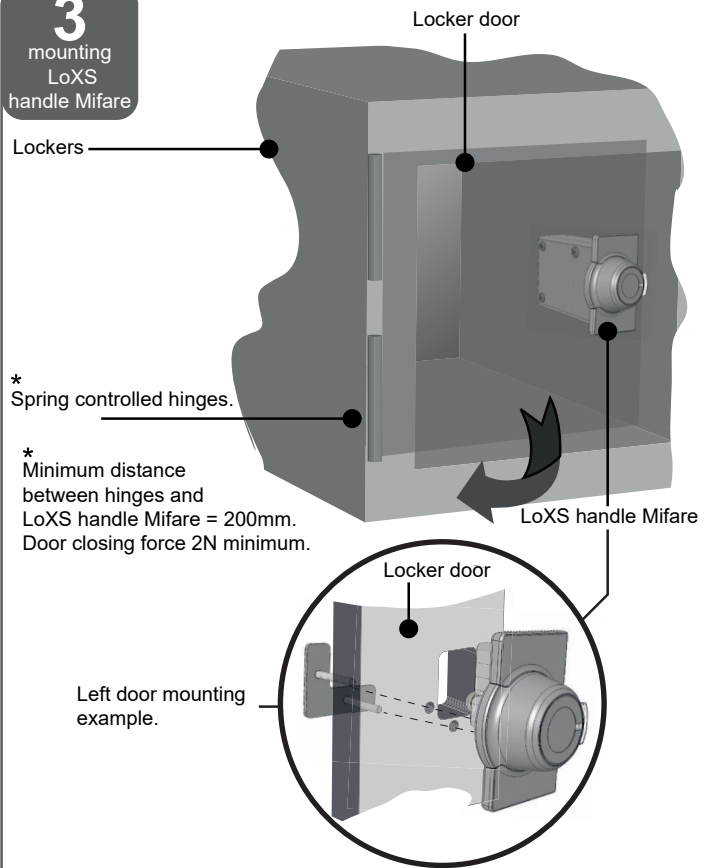
mounting locker unit



Use hole in wall Ø20mm (or cable trunk) for wiring.

3

mounting LoXS handle Mifare



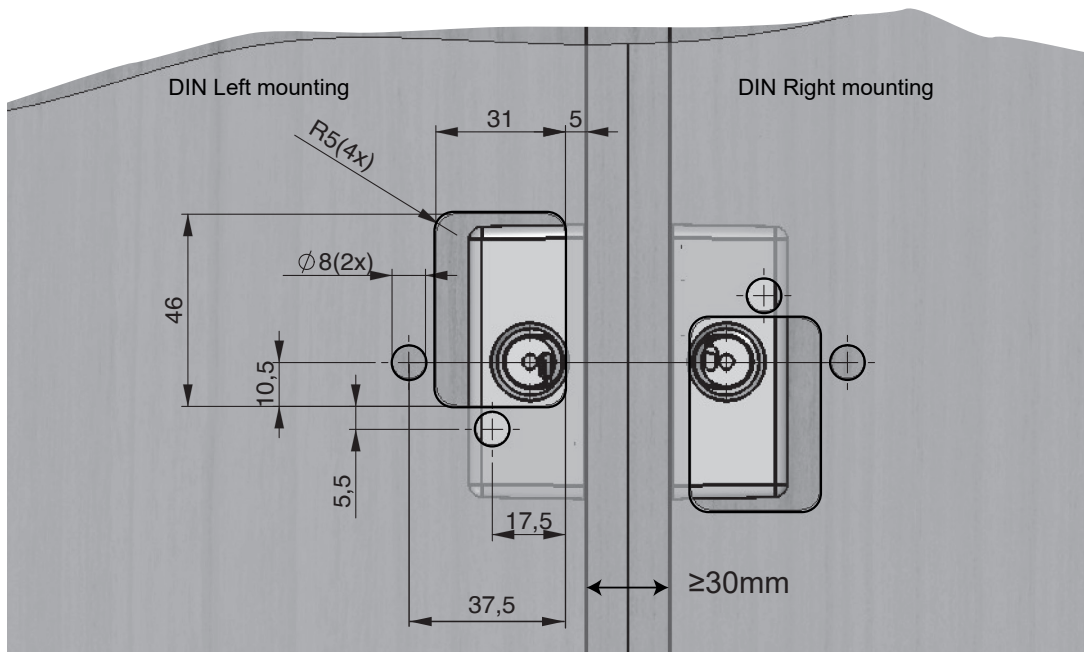
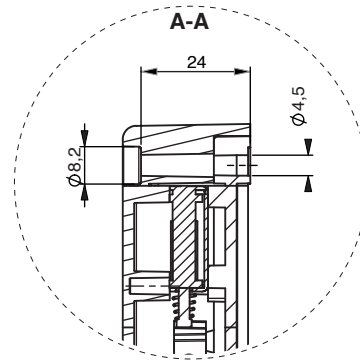
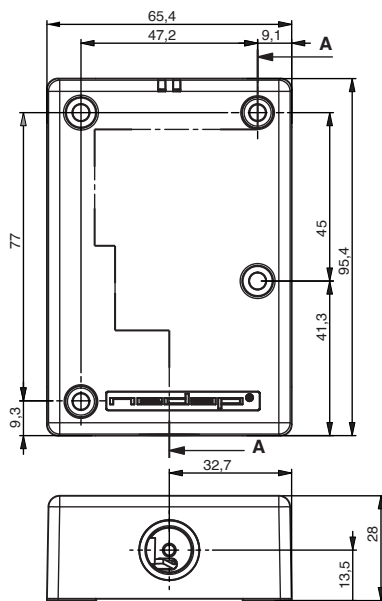
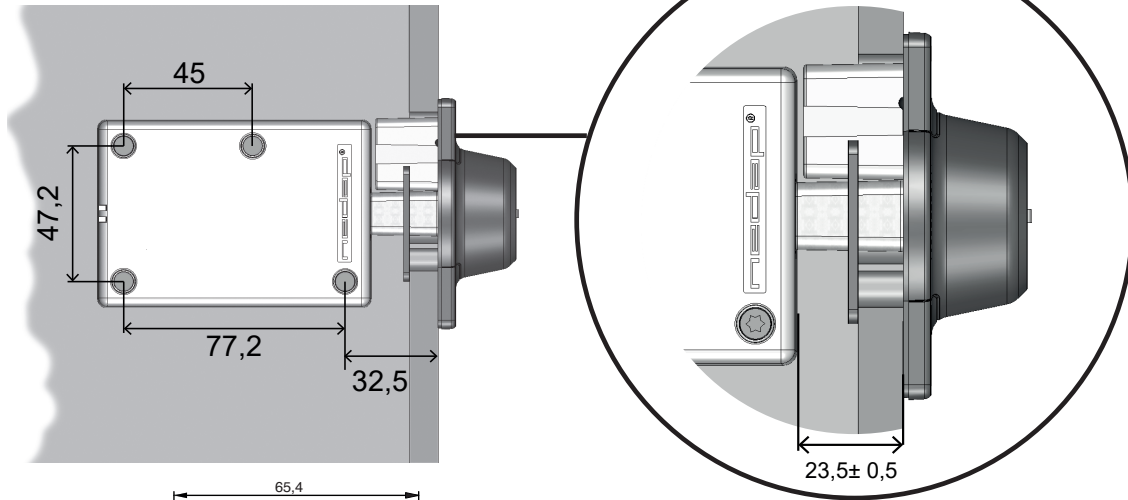
* Spring controlled hinges.
 * Minimum distance between hinges and LoXS handle Mifare = 200mm.
 Door closing force 2N minimum.

LoXS Locker unit Mifare for DIN left and DIN right mounting

4

Left / Right mounting example and dimensions

all dimensions in mm.



LoXS Locker unit Mifare for DIN left and DIN right mounting

5a
Note

Minimal distance between locker units is 30mm

≥ 30mm

NOT allowed

≥ 30mm

5b
Note

virtual antenna field area

30mm

30mm

30mm

100mm

15mm

15mm

15mm

15mm

30mm

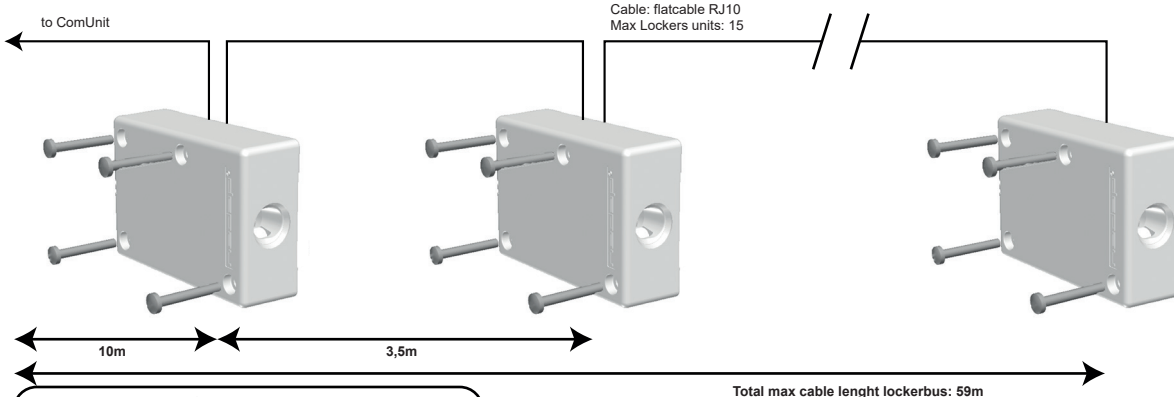
Keep antenna area free from metals (ferro and non ferro) for 30mm (see illustration) for proper functioning!

Keep LoXS handle Mifare antenna area free from metals (ferro and non ferro) for 15mm (see illustration) for proper functioning!

6
Note

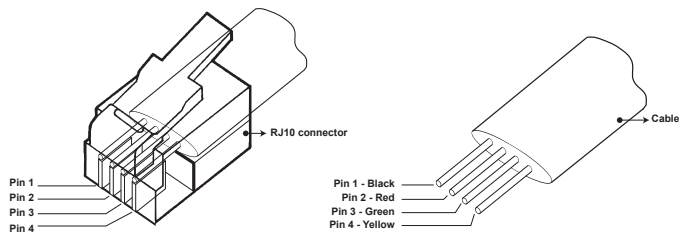
Be sure to test the detection distance from the lockers with the labels before putting the system into operation!

Specifications



! Remark: the first 10 meters depends on the total length of the cable. If for example 4 locks are used, the first lock can be placed on $59 - (4 \times 3,5) = 45$ meters from the Com Unit 2G.

- !**
- Crimping tool: Radiall R280 MOD395
 - Cable: Radiall R280 MOD014 - (max. 140 ohm / 1000m)
 - Plug: Radiall R280 MOD4X4
 - Use proper tooling for assembling.
 - Follow the instructions supplied with the tooling for correct mounting of the cable connector.



Cable testing

